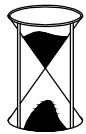
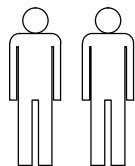
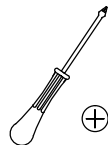


2020-12-11



30min.



x1

**Azurro**

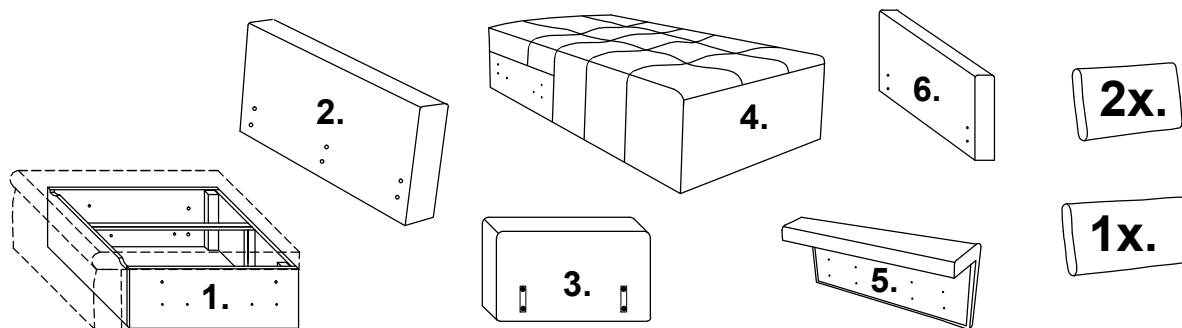


\$JUTRZUNaFU00\$

**Adria**



\$JUTADRNaFU00\$

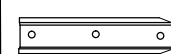


**a. x 4**



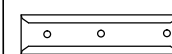
MME00202

**b. x 6**



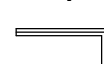
MME00197

**c. x 4**



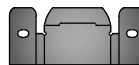
MME00197

**d. x 1**



MIV00062

**e. x 2**



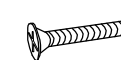
MOI00101

**f. x 18**



MON00187

**g. x 20**  
**M6x35**



MME00052

**h. x 10**



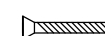
MME00206

**i. x 4**  
**M6x20**



MME00189

**j. x 14**  
**4,5x40**



MME00076

**k. x 4**  
**5x60**

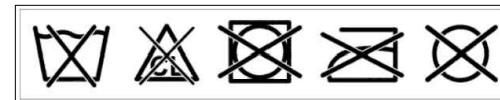


MME00287

**l. x 8**  
**Ø35x7**



MOI00095



**L 2-7**



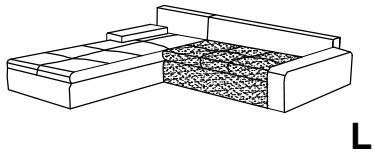
**R 8-13**

0 10 20 30 40 50 60 70 80 90 100 110 120 130 140 150 160 170 180 190 200 mm

**2020-12-11**

# Azurro Adria

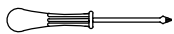
I



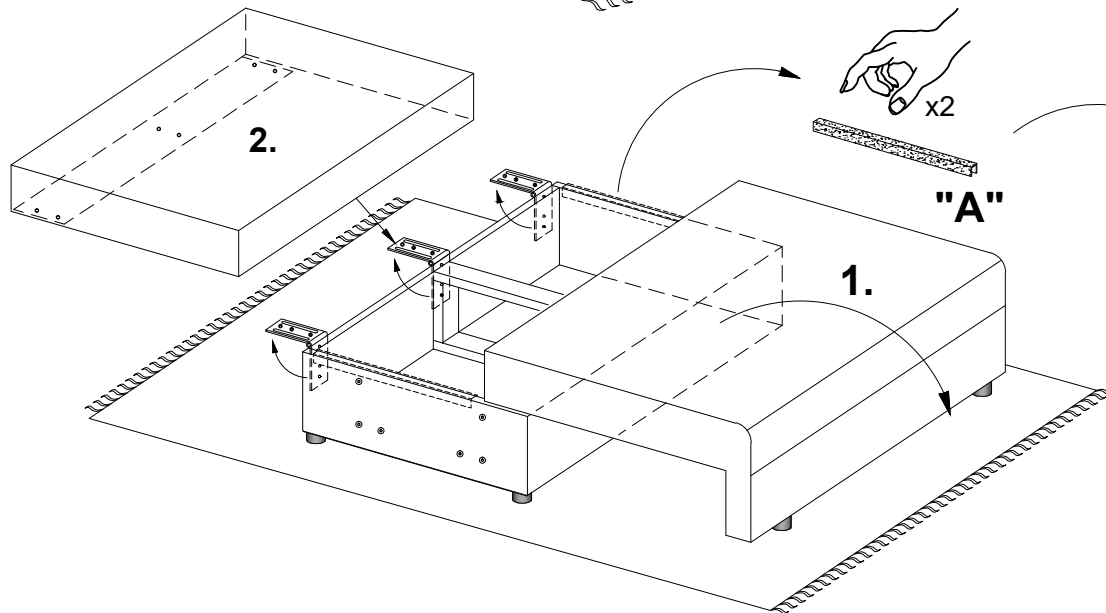
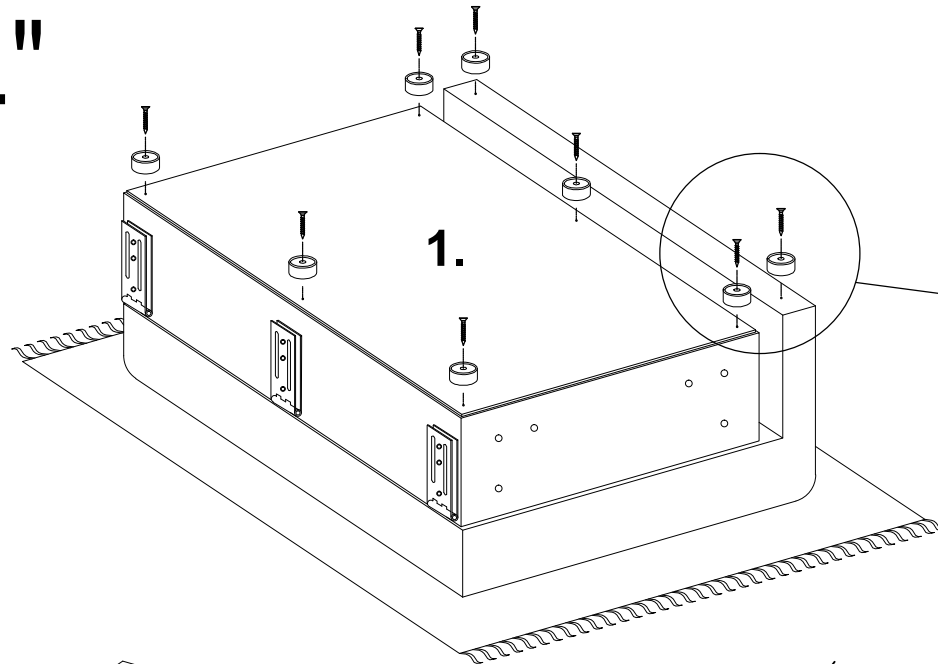
L

f. x 8  Ø50x25

j. x 8  4,5x40



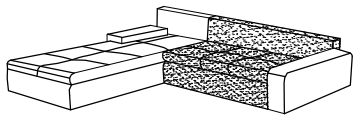
"L"




2020-12-11

# Azurro Adria

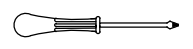
II



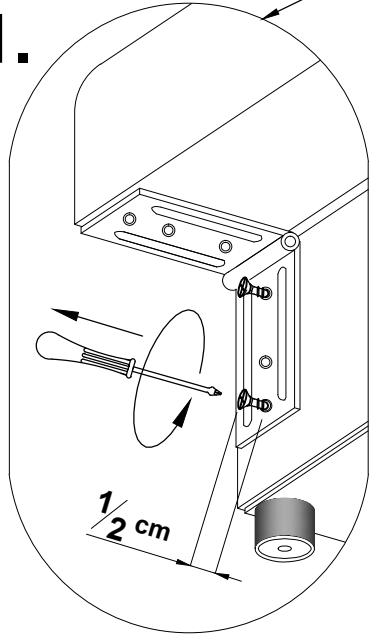
L

h x 6  M6x25

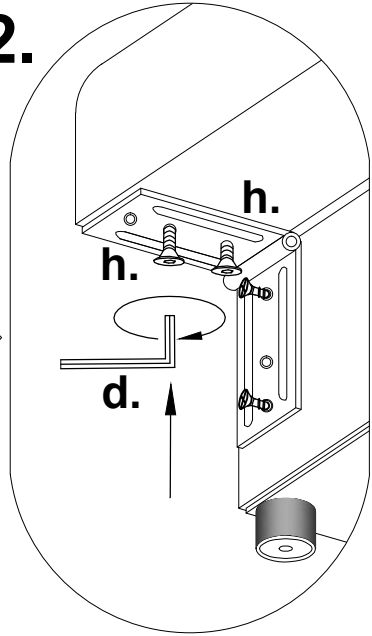
d. x 1  "4"



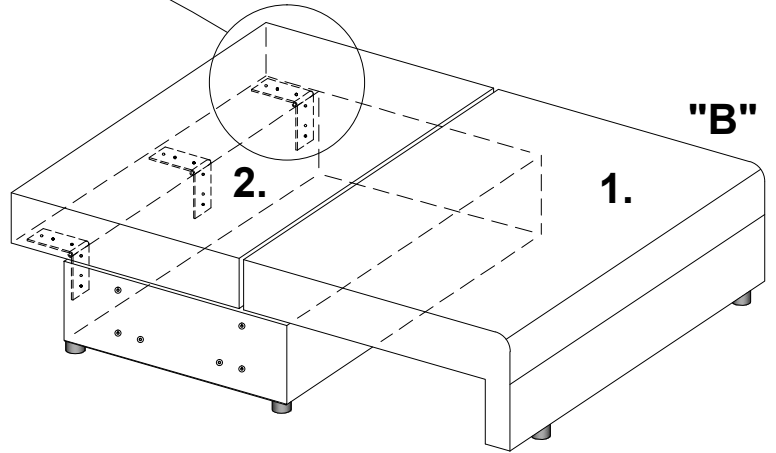
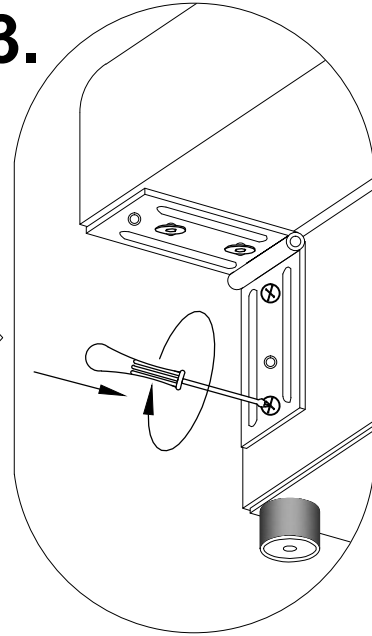
1.



2.



3.

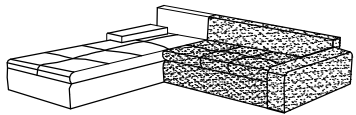


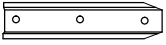
0 10 20 30 40 50 60 70 80 90 100 110 120 130 140 150 160 170 180 190 200 mm

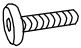
**2020-12-11**

# Azuro Adria

**III**



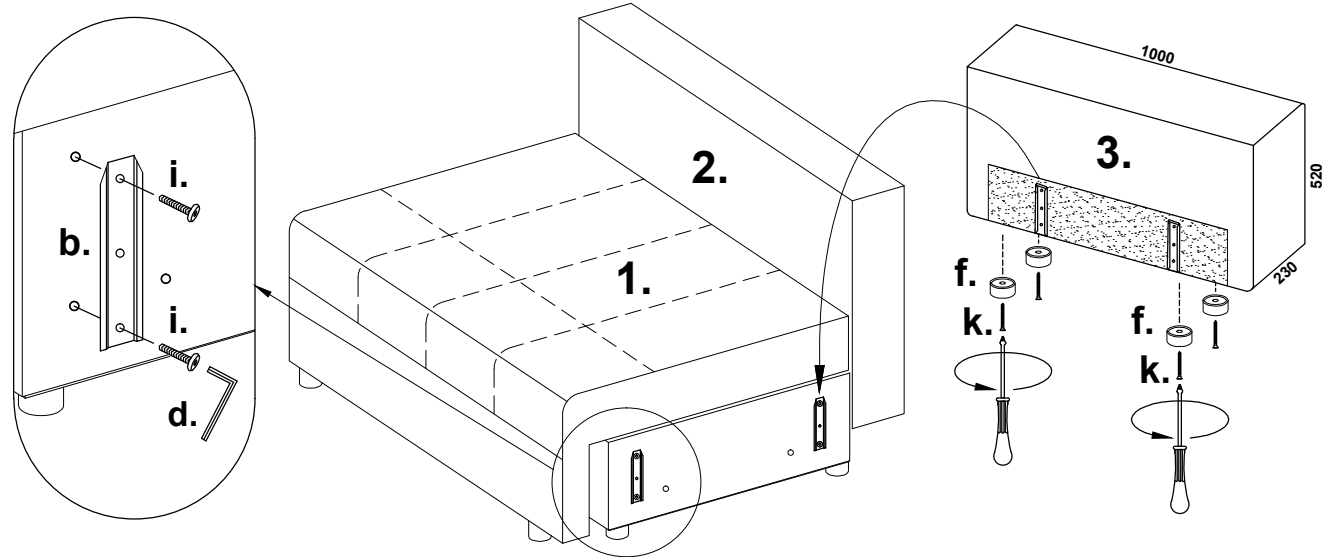
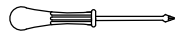
**b. x 2** 

**i. x 4**  **M6x20**

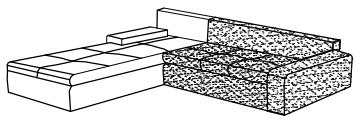
**f. x 4**  **∅50x25**


**k. x 4**  **5x60**

**d. x 1**  **"4"**



**IV**




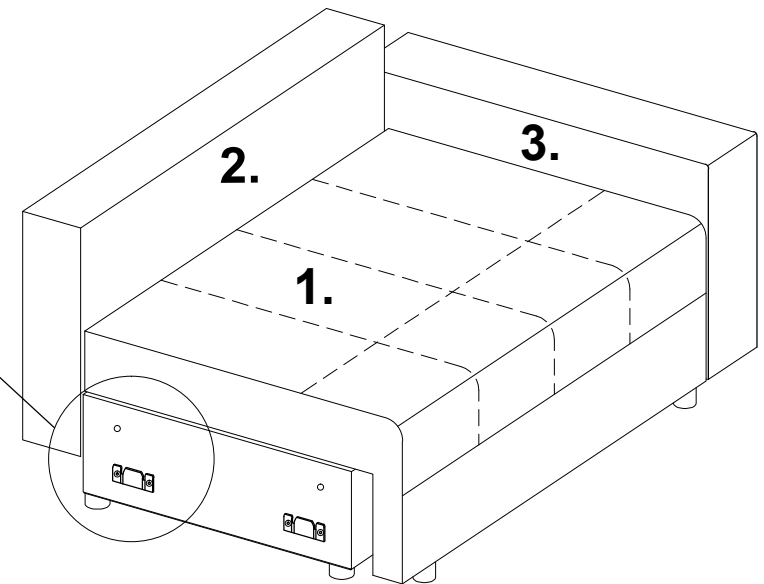
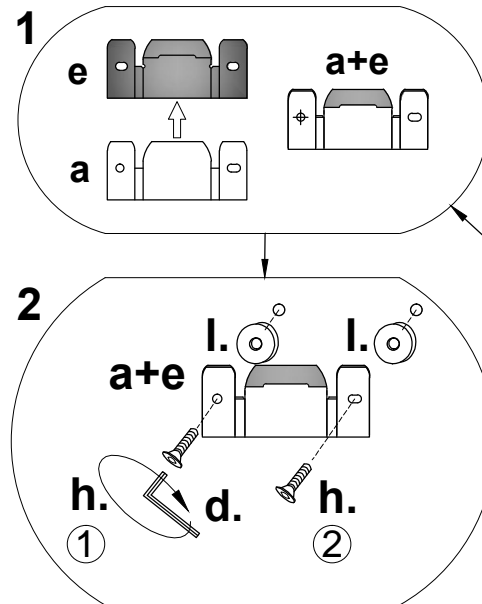
**a. x 2** 

**e. x 2** 

**h. x 4**  **M6x25**

**l. x 4**  **∅ 35x7**

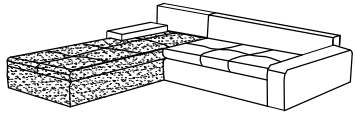
**d. x 1**  **"4"**



2020-12-11

# Azurre Adria

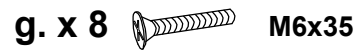
V



L



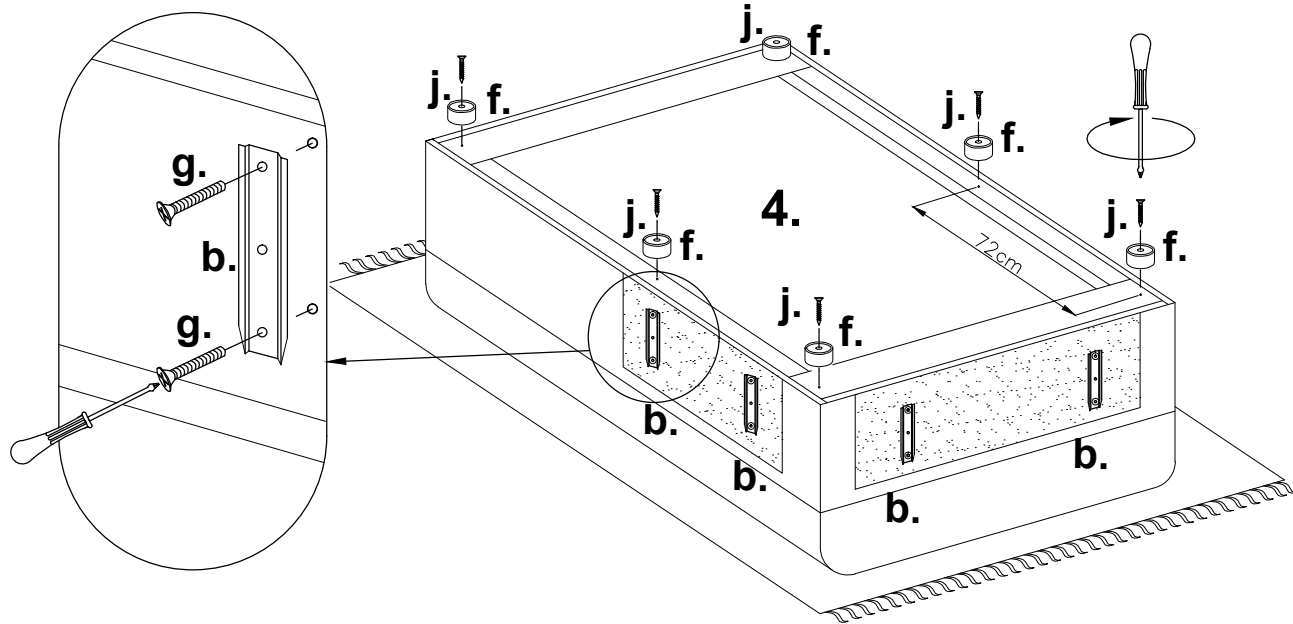
Ø50x25



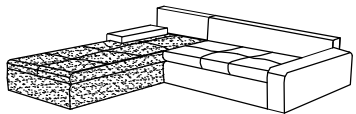
M6x35



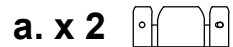
4,5x40



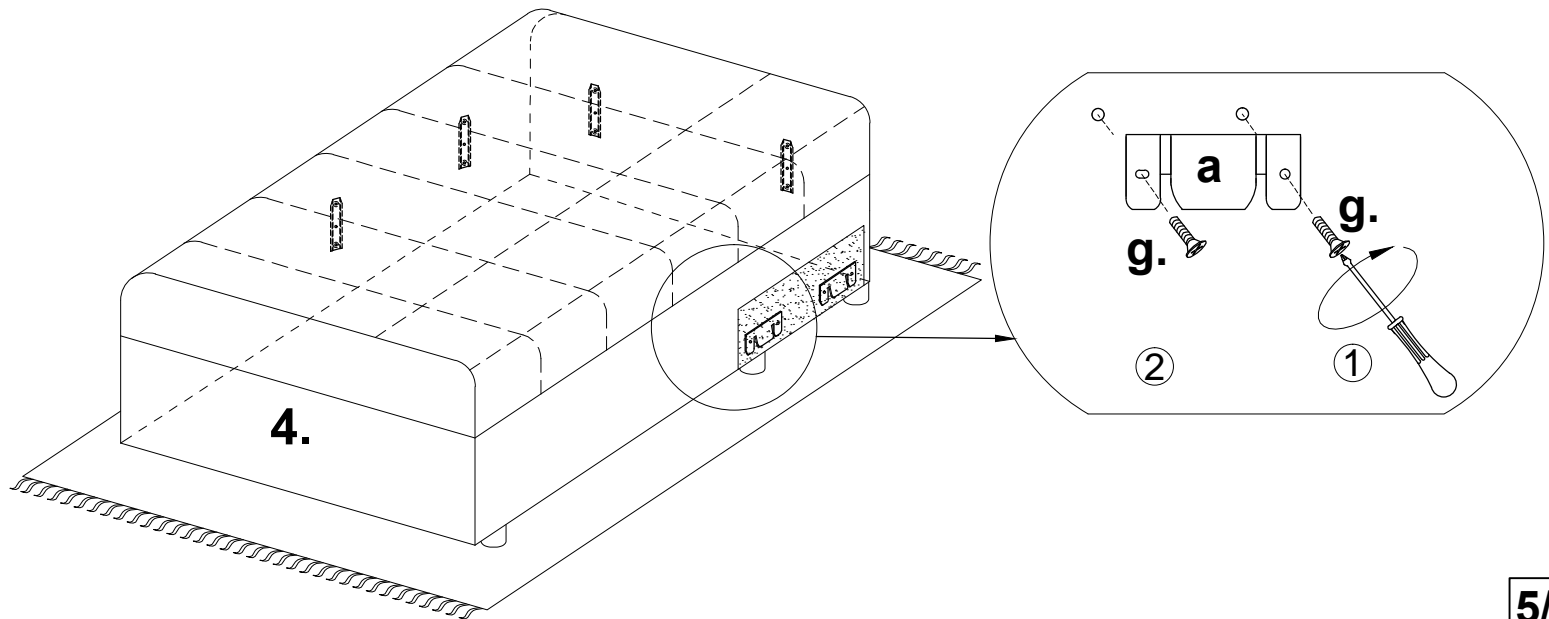
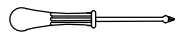
VI



L



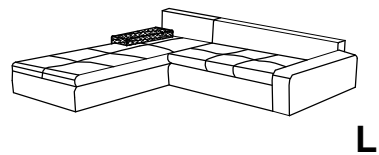
M6x35



2020-12-11

# Azuro Adria

VII



L

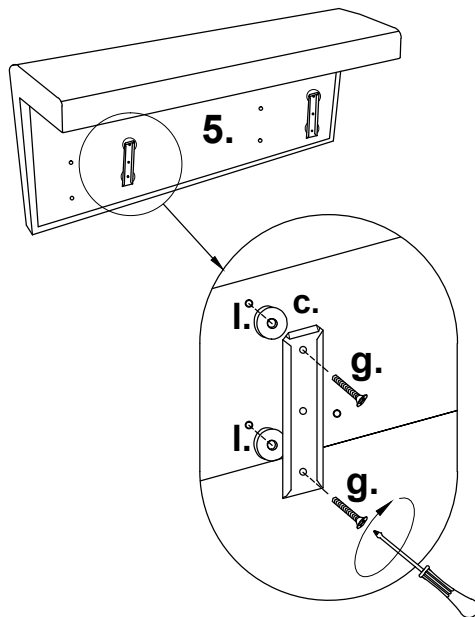
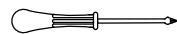
c. x 2

g. x 4

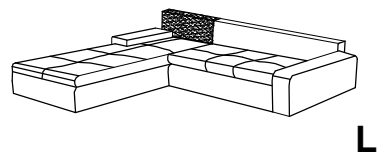
M6x35

l. x 4

∅ 35x7



VIII

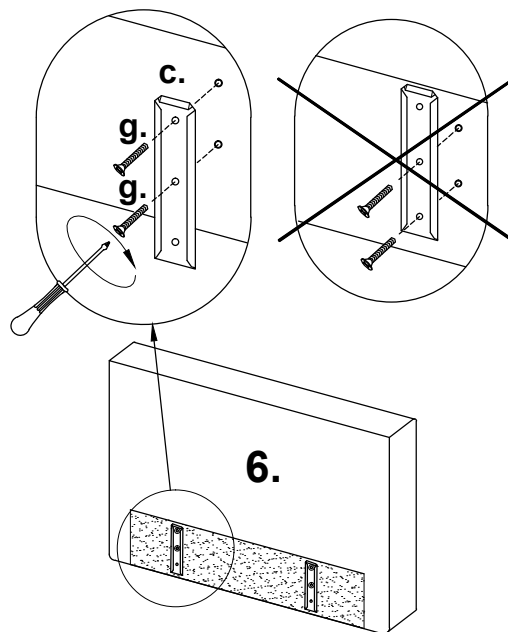
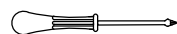


L

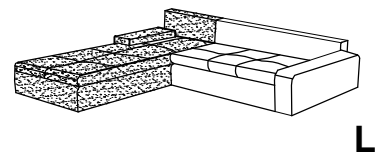
c. x 2

g. x 4

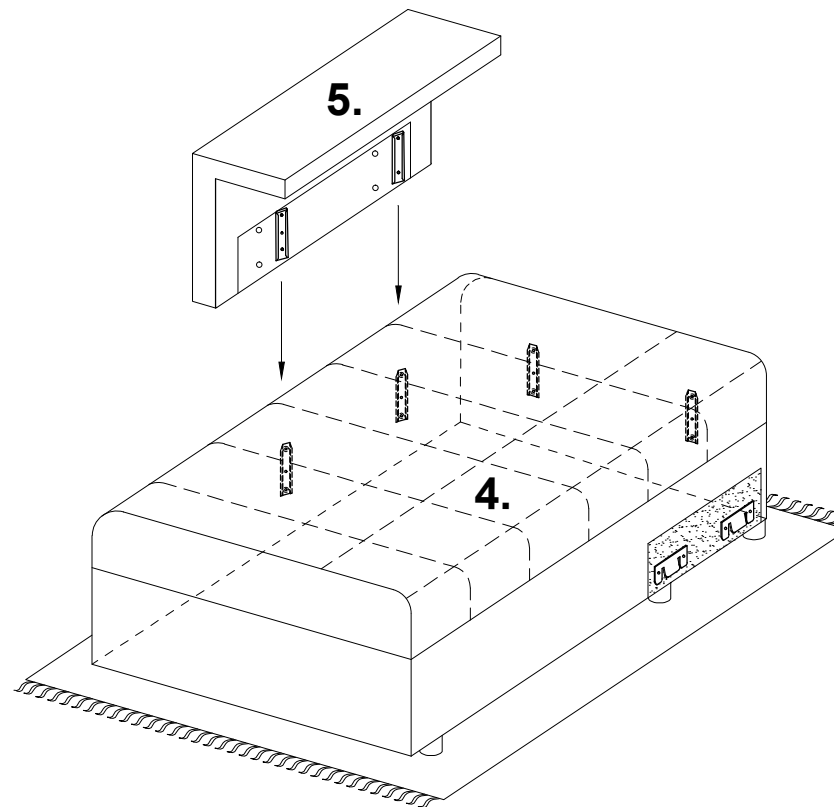
M6x35



IX



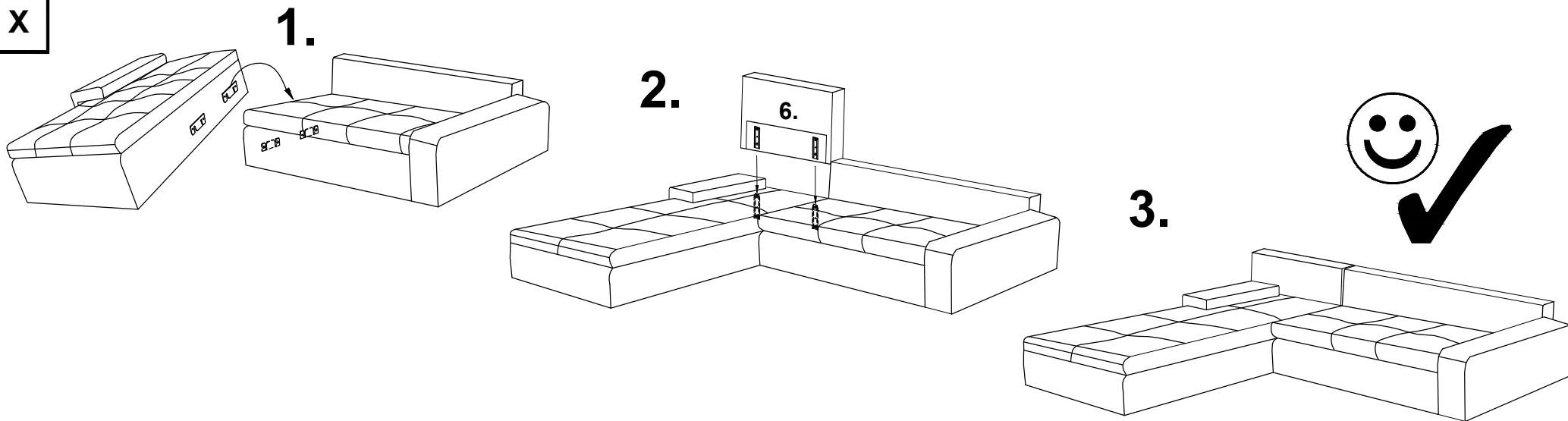
L



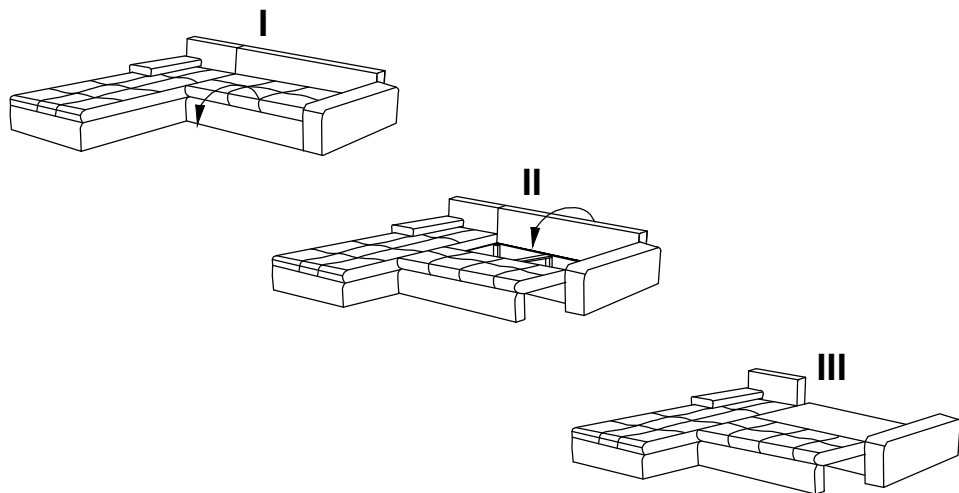
2020-12-11

# Azurro Adria

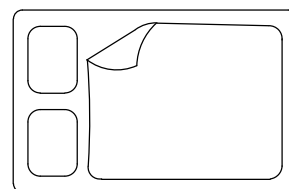
X



"L"

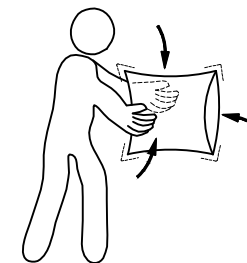
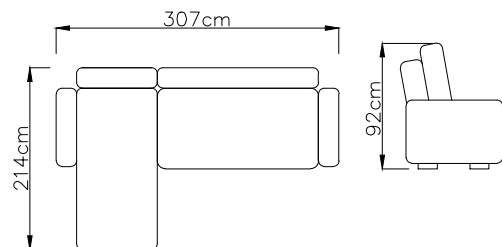


±2cm



240 x 136 cm

±2cm

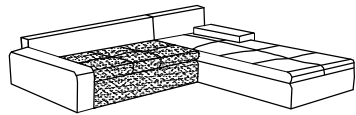


0 10 20 30 40 50 60 70 80 90 100 110 120 130 140 150 160 170 180 190 200 mm

2020-12-11

# Azurro Adria

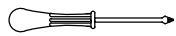
I



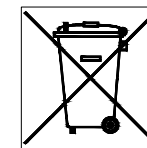
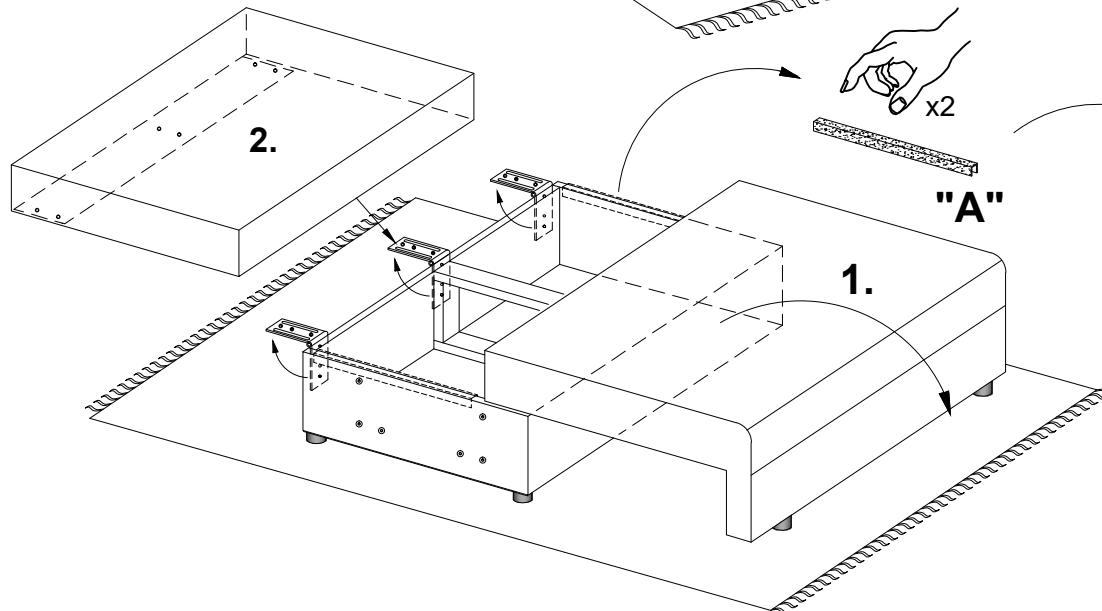
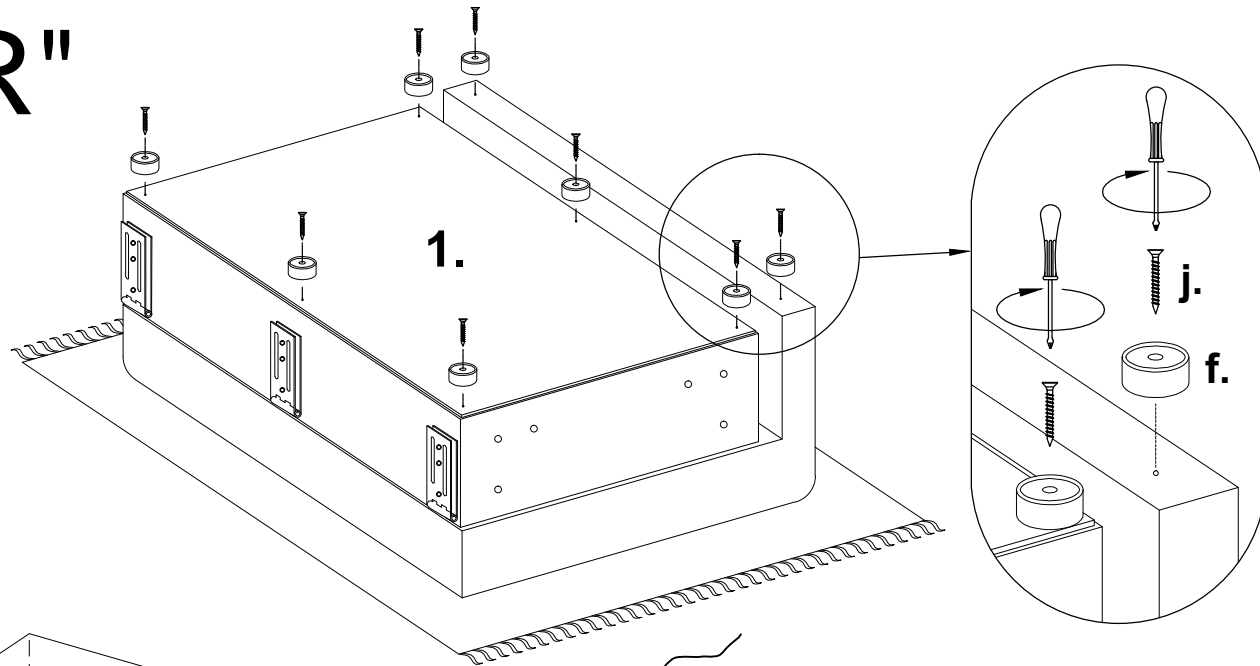
R

f. x 8  Ø50x25

j. x 8  4,5x40



## "R"

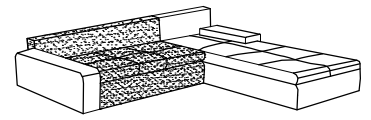




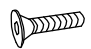
2020-12-11

# Azurro Adria

II



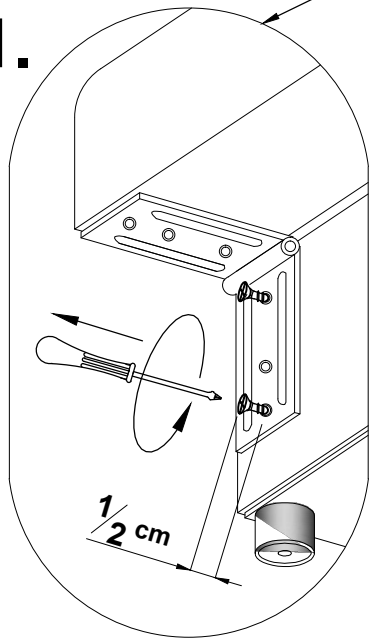
R

h x 6  M6x25

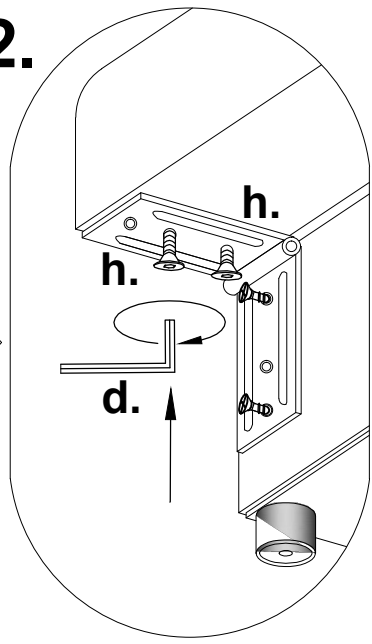
d. x 1  "4"



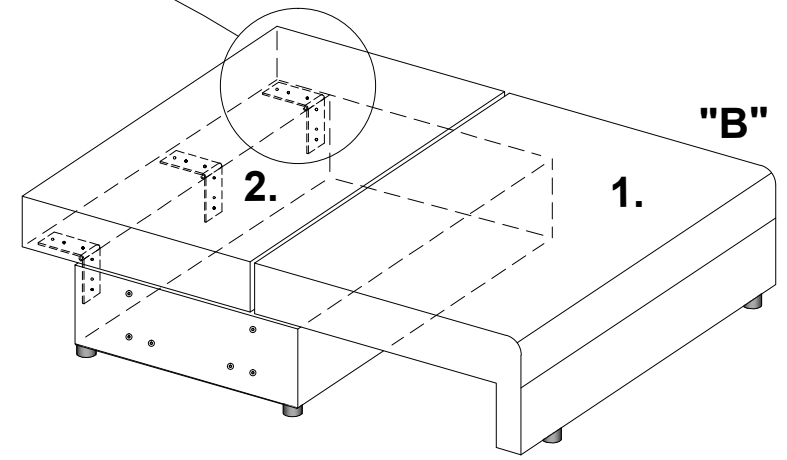
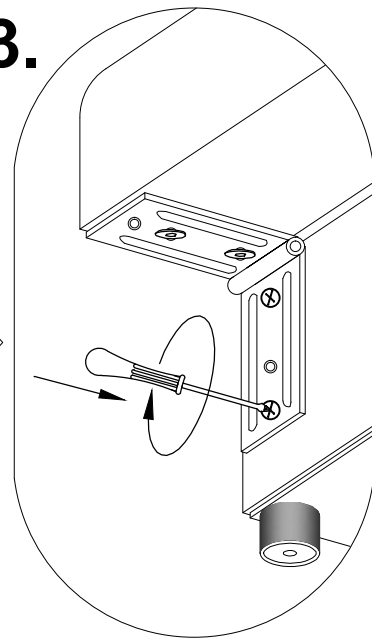
1.



2.



3.



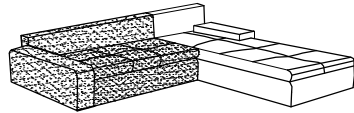
"B"

0 10 20 30 40 50 60 70 80 90 100 110 120 130 140 150 160 170 180 190 200 mm

**2020-12-11**

# Azurro Adria

**III**



**R**

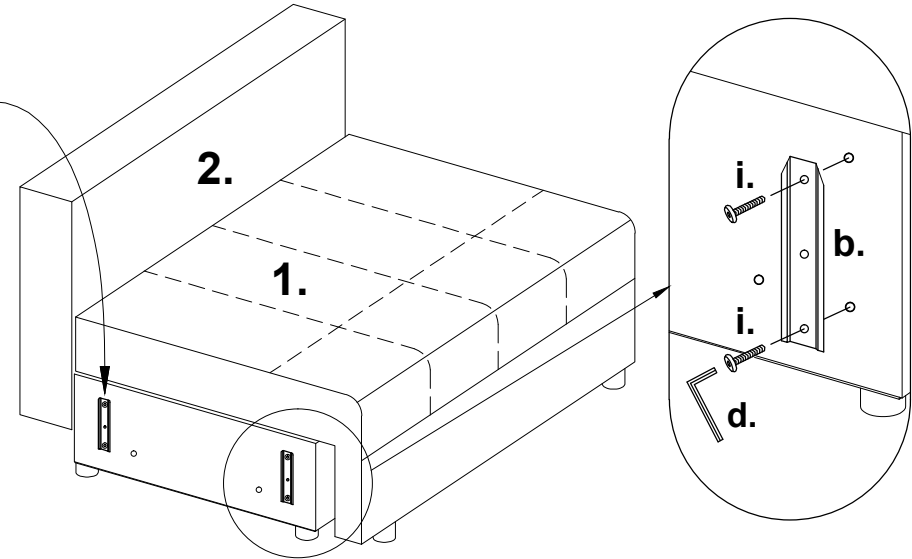
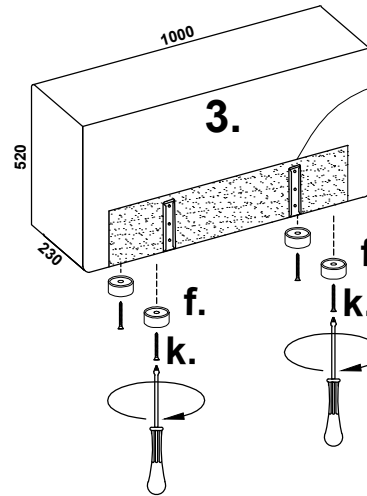
**b. x 2**

**i. x 4** **M6x20**

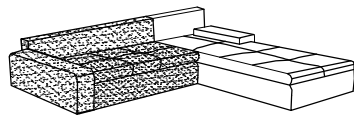
**f. x 4** **∅50x25**

**k. x 4** **5x60**

**d. x 1** **"4"**



**IV**



**R**

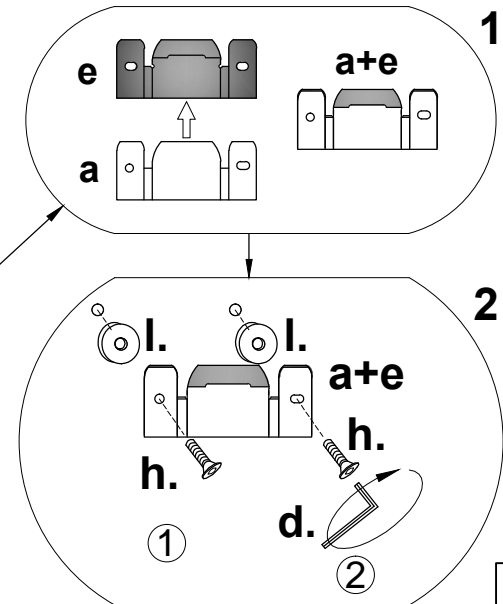
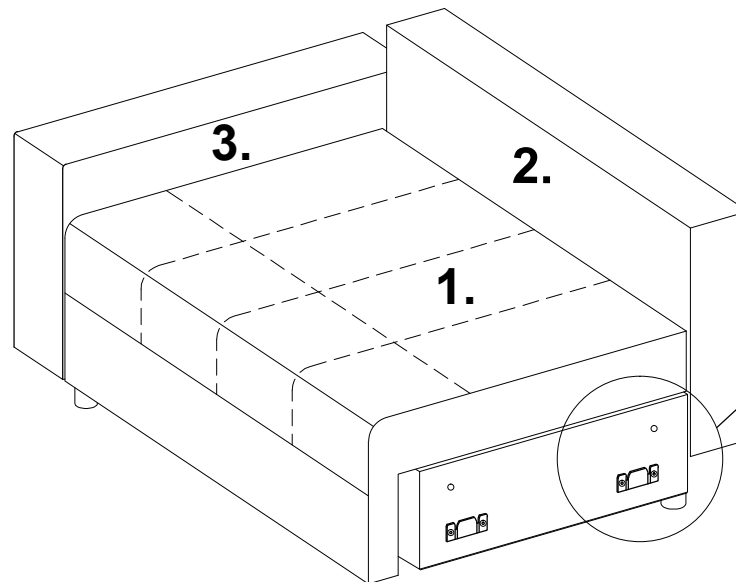
**a. x 2**

**e. x 2**

**h. x 4** **M6x25**

**l. x 4** **∅ 35x7**

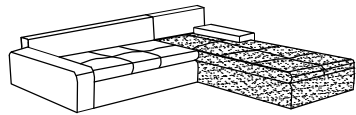
**d. x 1** **"4"**



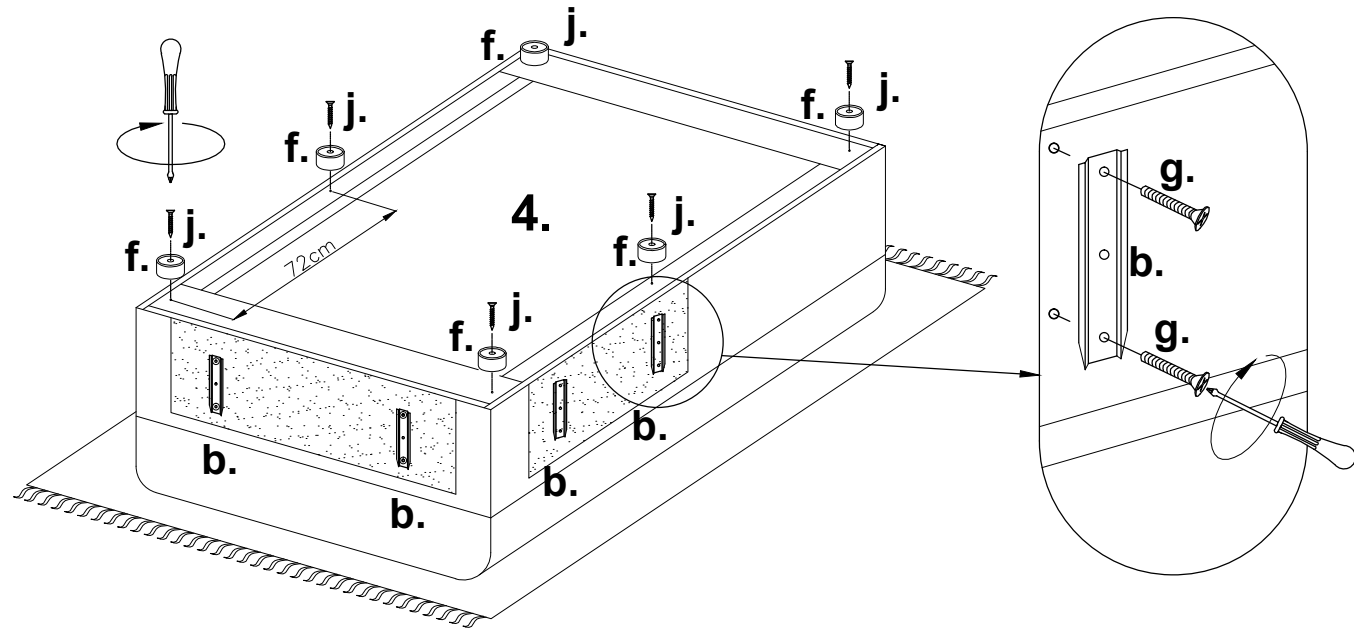
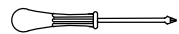
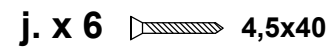
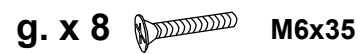
2020-12-11

# Azurro Adria

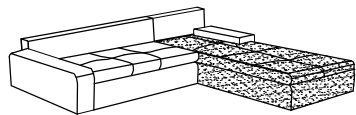
V



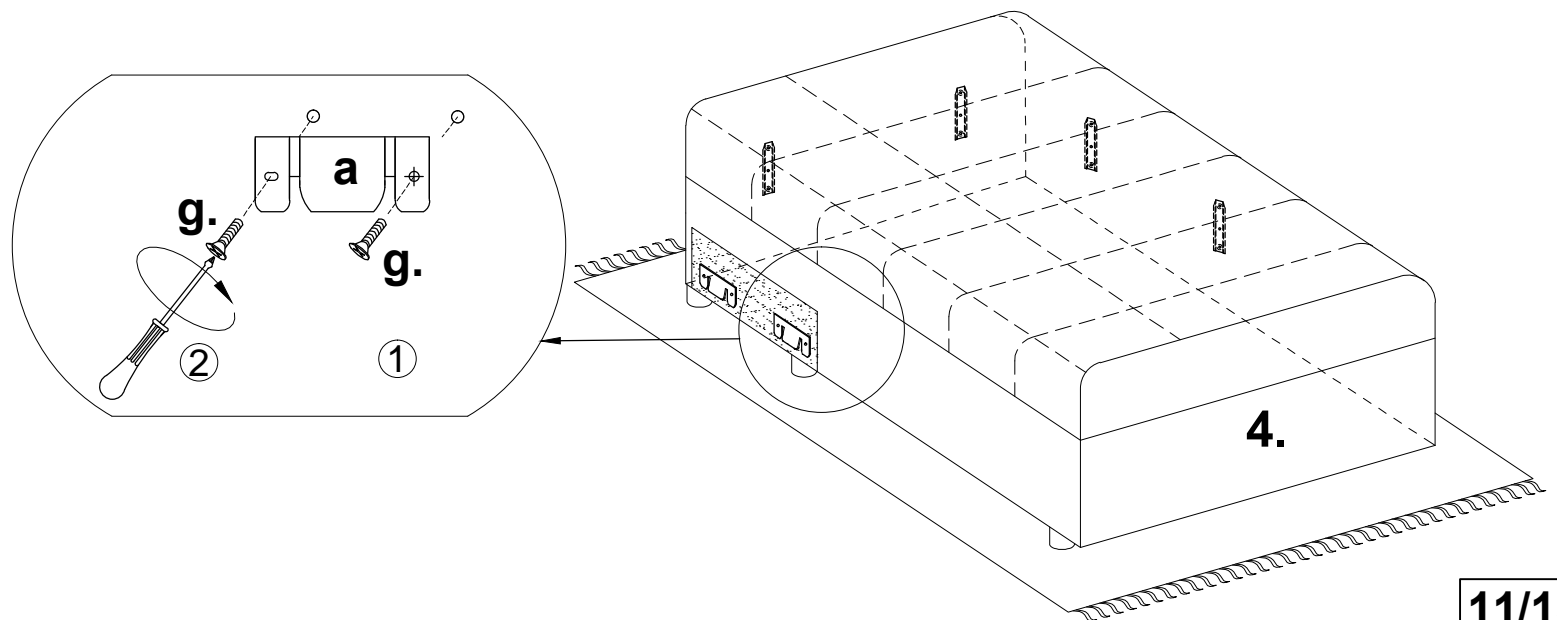
R



VI



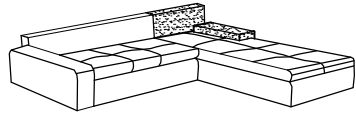
R



2020-12-11

# Azurreo Adria

VII



R

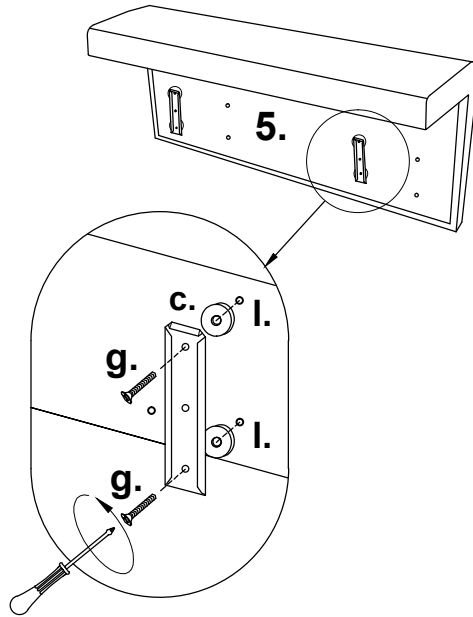
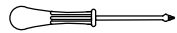
c. x 2

g. x 4

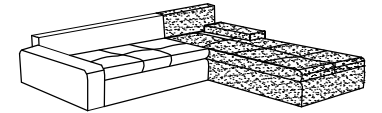
M6x35

l. x 4

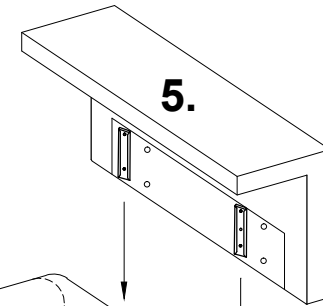
∅ 35x7



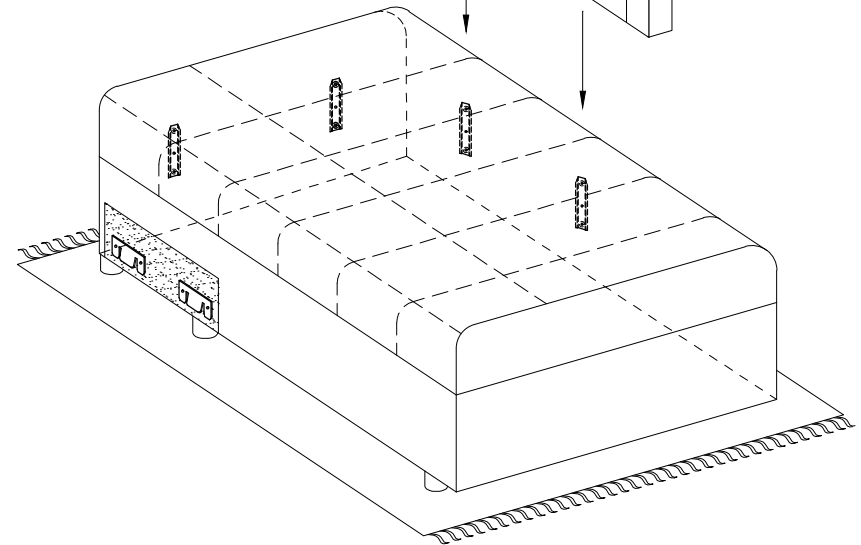
IX



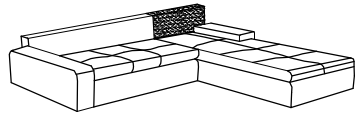
R



5.



VIII

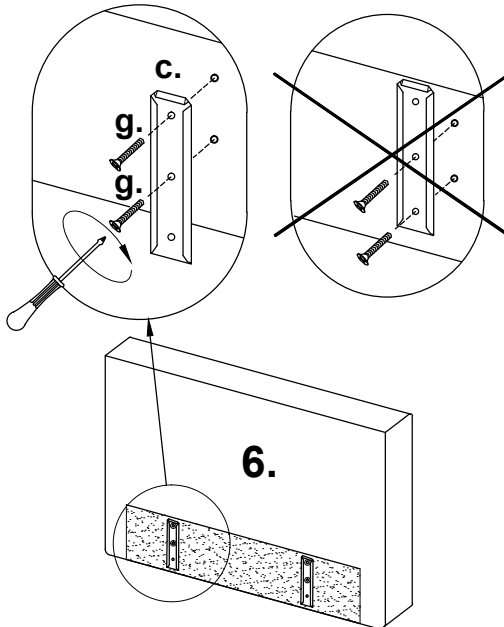
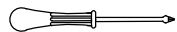


R

c. x 2

g. x 4

M6x35

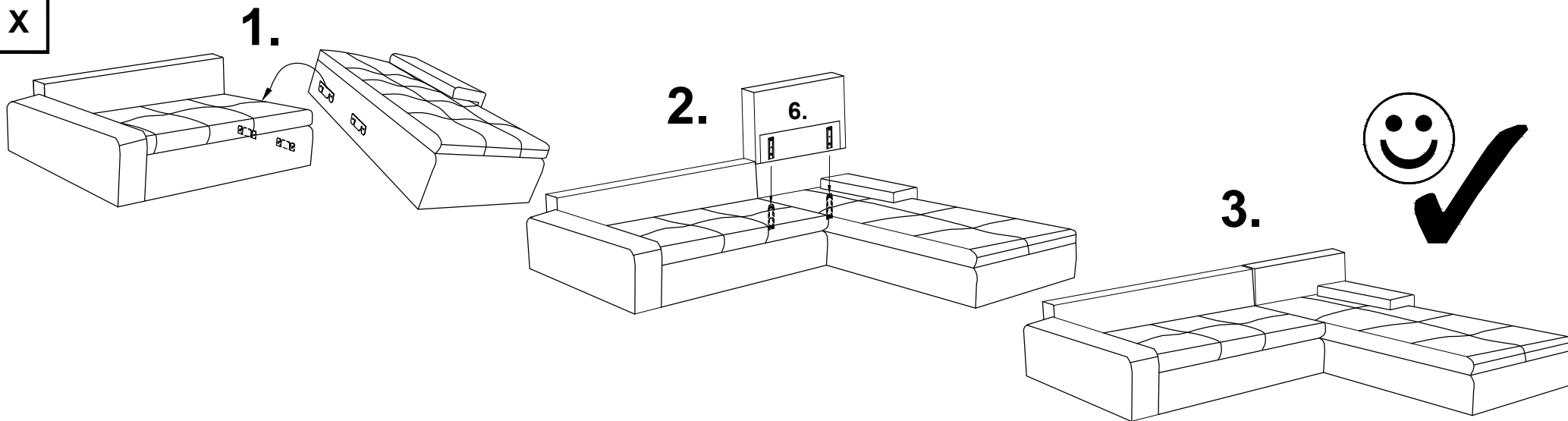


6.

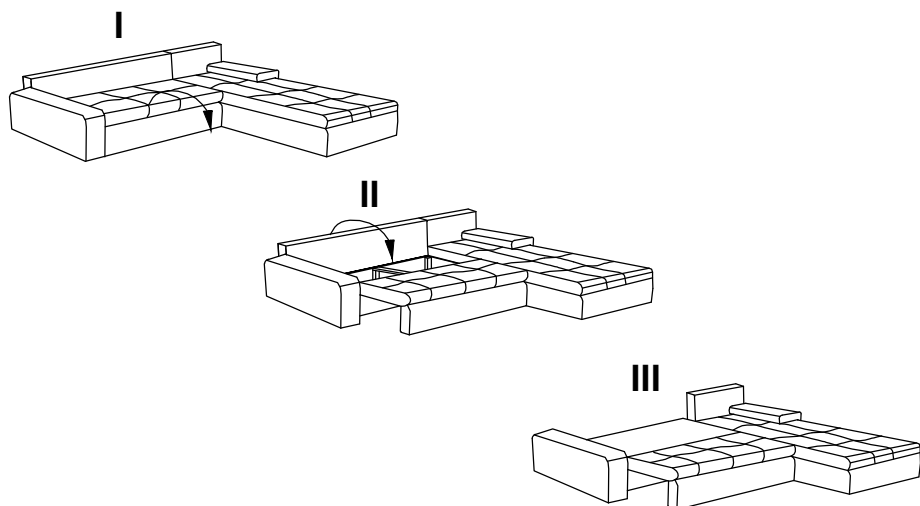
2020-12-11

# Azurro Adria

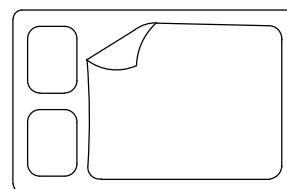
X



## "R"



±2cm



240 x 136 cm

±2cm

